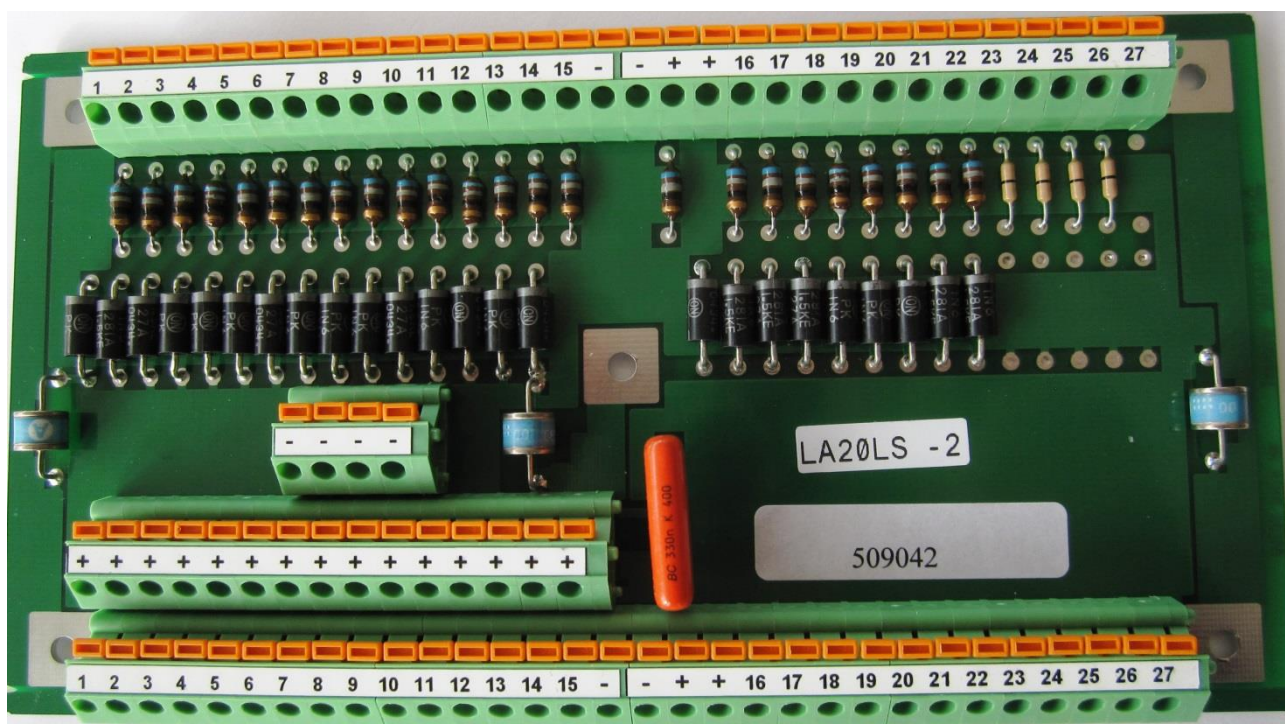




## Product information

# LA20LS Over Voltage Protection

for WMC products



LA20LS Model -2

## Hardware description

### Main Characteristics

The LA20LS is a lightning arrester card normally placed in the nacelle in wind turbines.

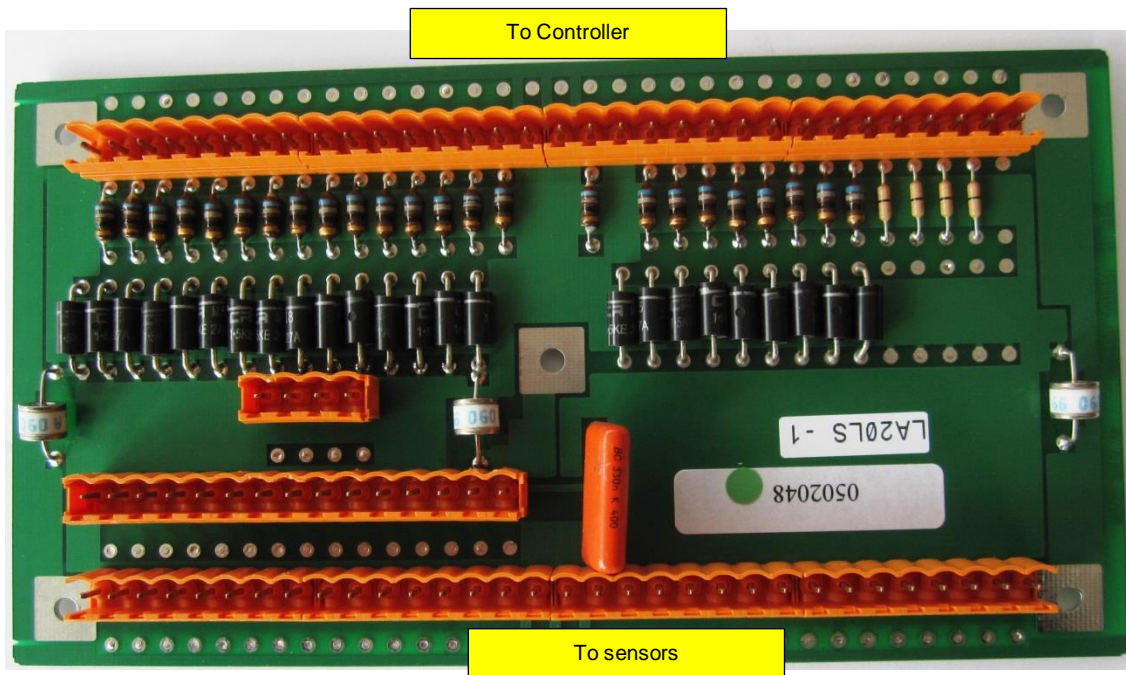
It protects the control system from overvoltage (lightening).

## Technical data

General	Data	Remarks
Product name	LA20LS	
Model -1	Male BLZ terminals	Weidmuller type BLZ
Model -2	Push-In Terminals	
Description	Over voltage protection	
Latest version	Ver 1	
Latest revision	Rev 1	
<b>Terminals</b>		
Protected lines	23 lines	Line 1 - 23
Protection of power lines	Yes	Max 24V DC
Unprotected lines	4 lines	Line 24-27
<b>Mounting</b>		
Housing	No housing	
Length x Width x Height (mm)	185 x 105 x 20	
Weight (gram)	185	
Mounting method	Screw mounting	
<b>Labels</b>		
Product ID	Front side	LA20LS – X X=Model
Product serial number		XYZZZ in numbers

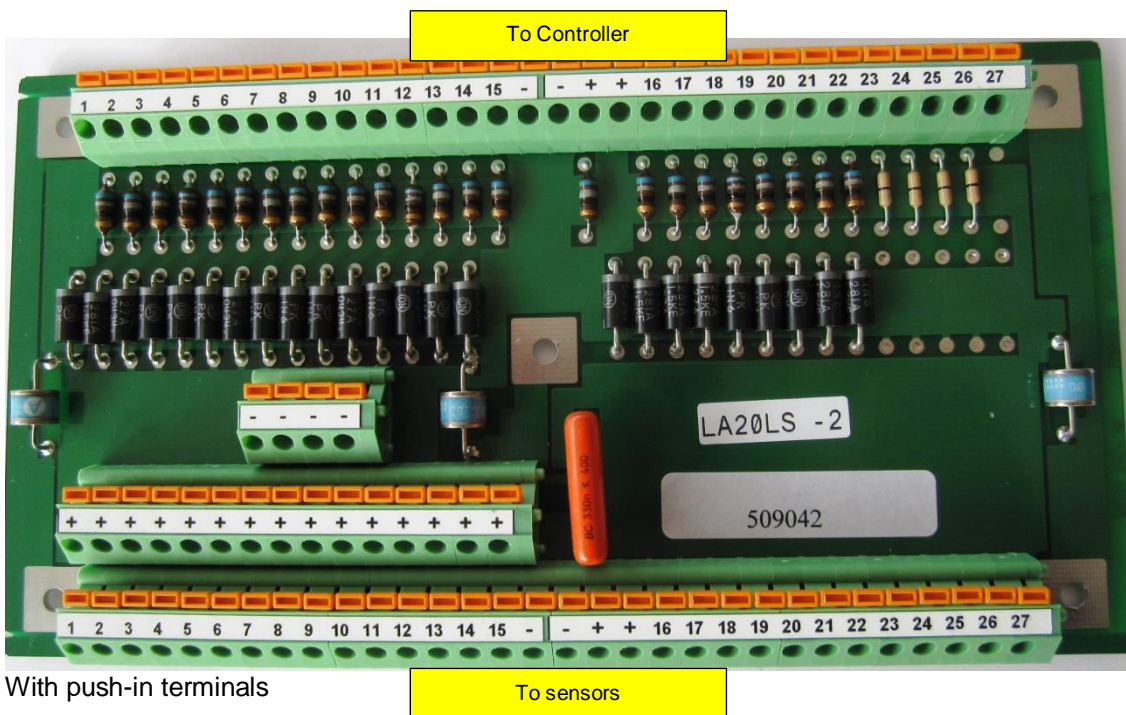
Technical specifications are subject to change without notice.

LA20LS model 1



With Weidmuller male Terminals

LA20LS Model 2



With push-in terminals