



Product information

COM 232

Communication converter

WMC (current loop) – RS232



Hardware description

Main Characteristics

The COM232 is microprocessor based communication converter. It is used to convert the WMC (Quest Wind Mill Controller) current loop system to standard RS232.

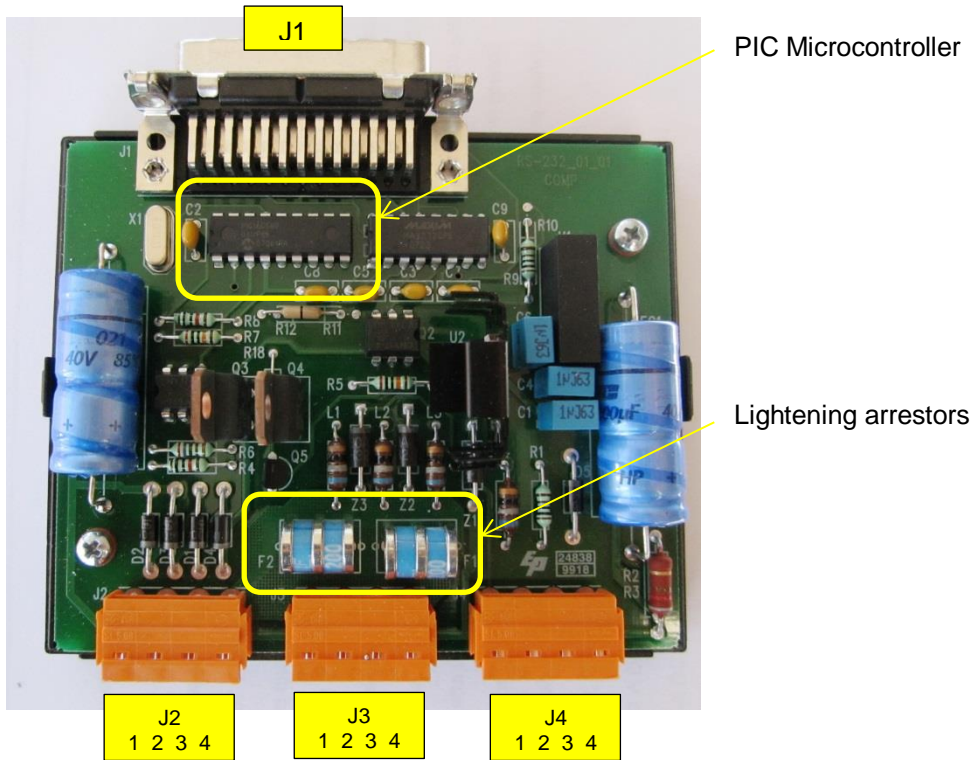
The COM232 also includes over voltage protection (lightening protection) system.

Technical data

General	Data	Remarks
Product name	COM232	
Description	Communication converter	Quest current loop – RS232
Product revision	Rev 3	
Microprocessor type	PIC	
Terminals		
J1- 25 pin male D-sub	RS 232	
J2- 4 pin male (Weidmuller BLZ type)	Power supply	J2-1 0V DC, J2-2 +24V DC, J2-4 GND
J3- 4 pin male (Weidmuller BLZ type)		
J4- 4 pin male (Weidmuller BLZ type)	Quest current loop	
Power supply		
Nominal voltage	24V DC	17-30 V DC
Nominal current	100mA	Max 200 mA
Mounting		
Housing	Plastic Box	
Length x Width x Height (mm)	105 x 96 x 60	
Weight (gram)	165	
Mounting method	TS 35 DIN rail	
Labels		
Product ID	Front side	COM232 rev X
Product serial number		XYZZZ in numbers

Technical specifications are subject to change without notice.

COM232 Components



Hardware Connection diagram

